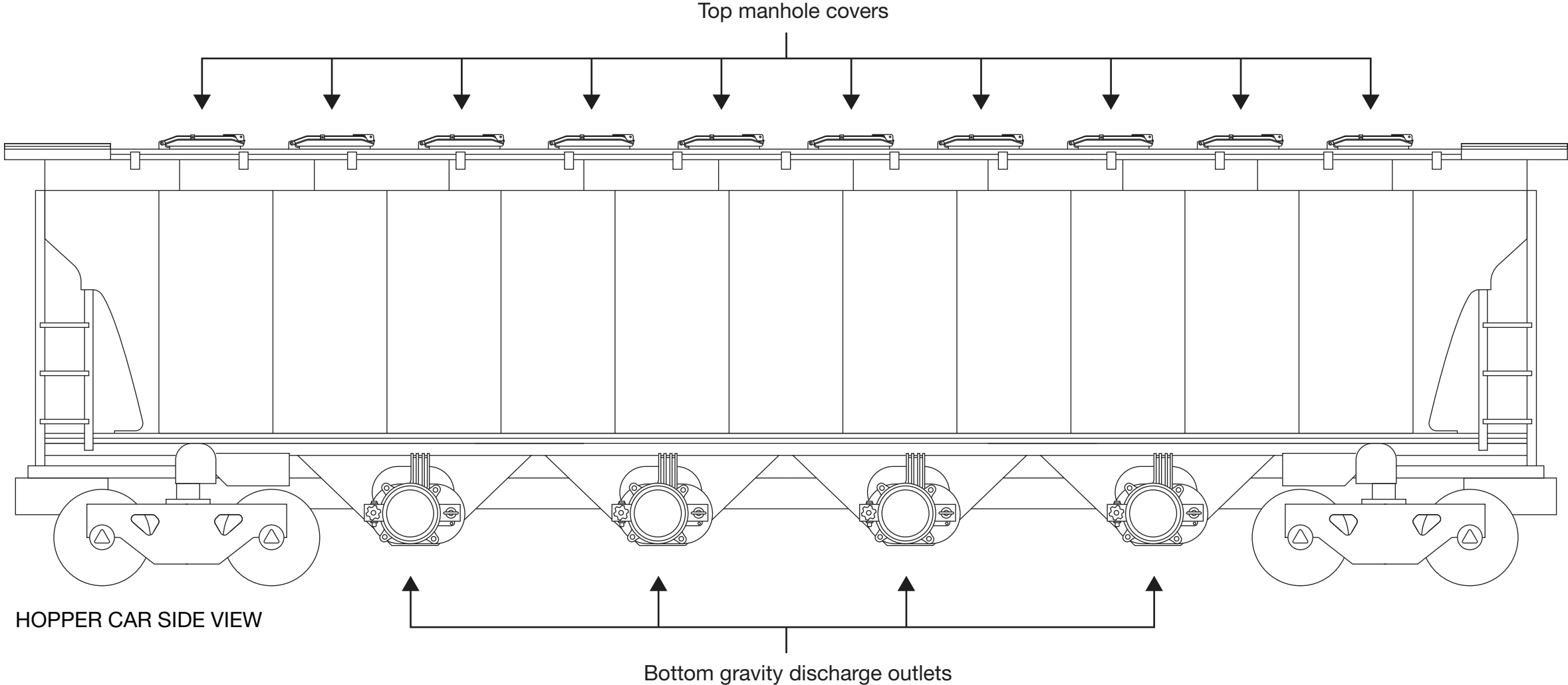
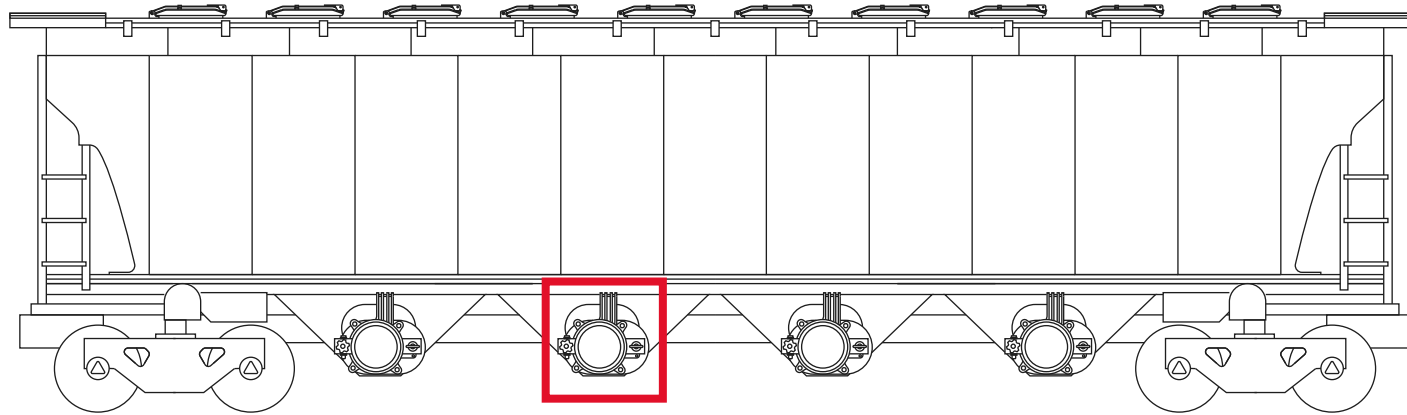


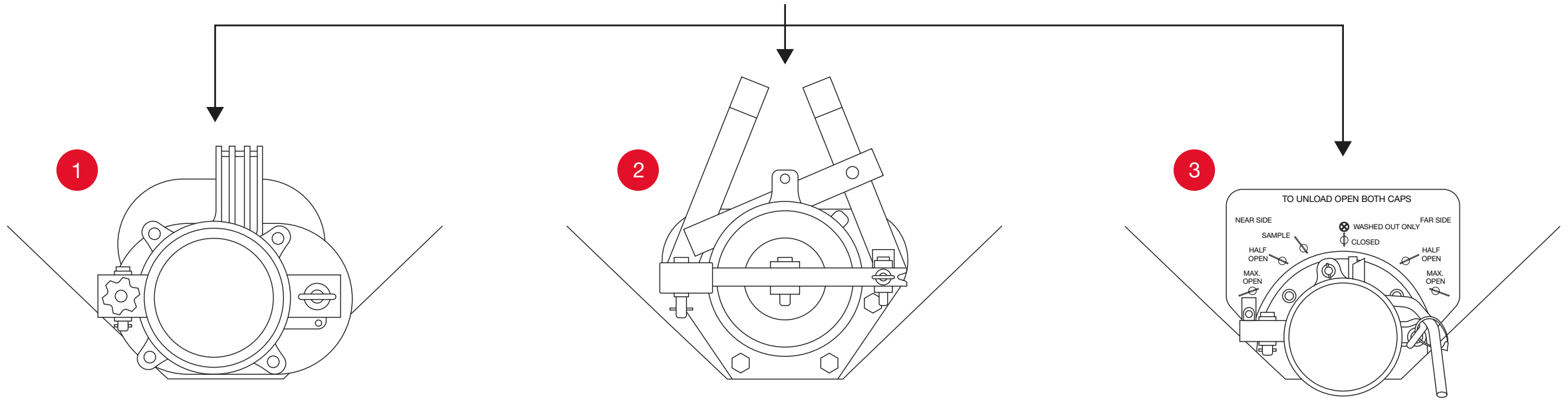
VULNERABILITY ON THE BOTTOM OF COVERED HOPPERS



# VULNERABILITY ON THE BOTTOM OF COVERED HOPPERS

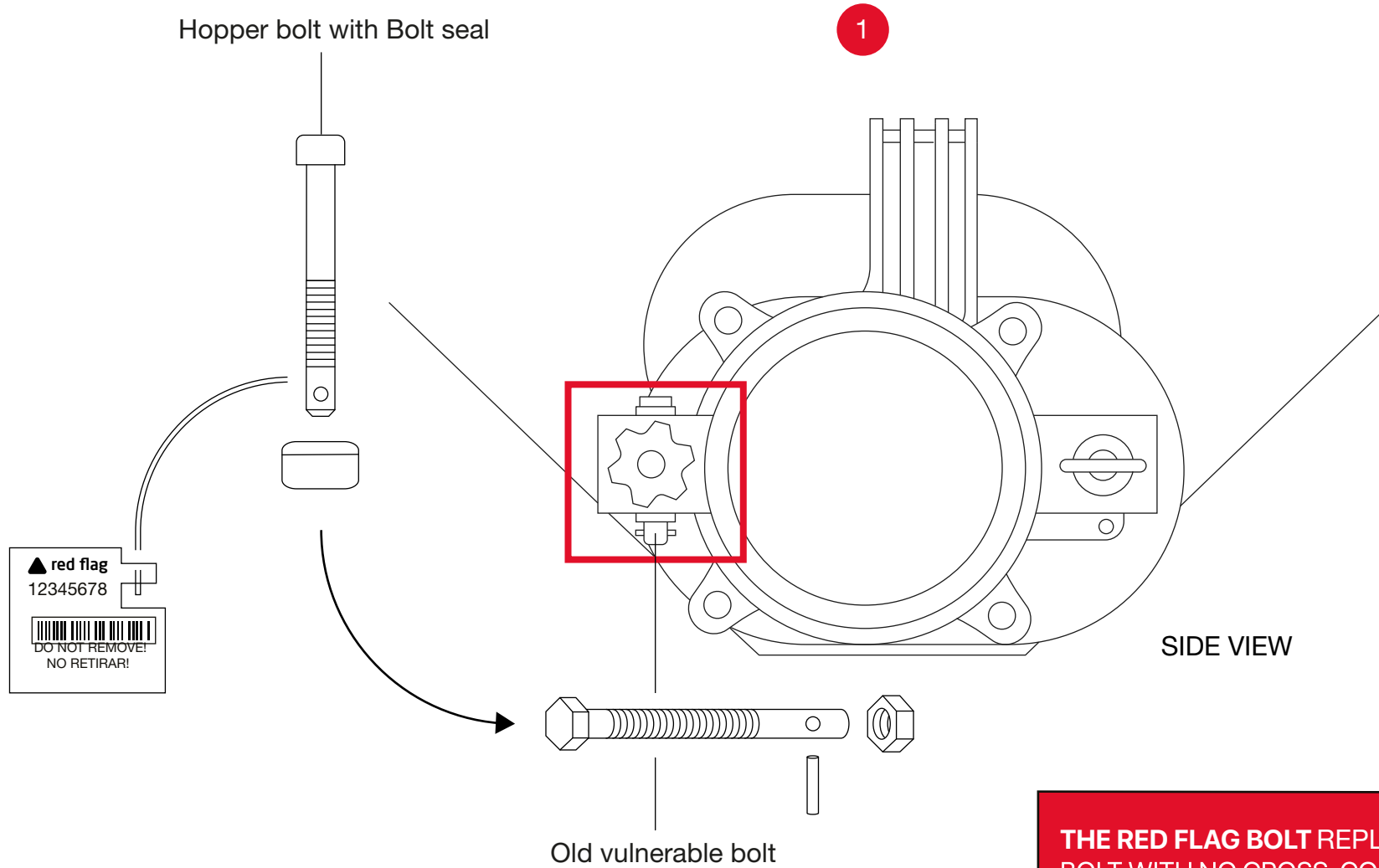


DIFFERENT TYPES OF GRAVITY DISCHARGE OUTLETS AT THE BOTTOM OF A HOPPER



SIDE VIEW

# VULNERABILITY ON THE BOTTOM OF COVERED HOPPERS



**THE RED FLAG BOLT REPLACES THE ORIGINAL VULNERABLE BOLT WITH NO CROSS-CONTAMINATION OF THE PRODUCT.**

# VULNERABILITY ON THE BOTTOM OF COVERED HOPPERS

Hopper bolt with Bolt seal

TOP VIEW

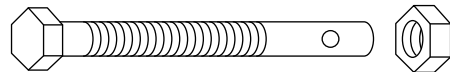
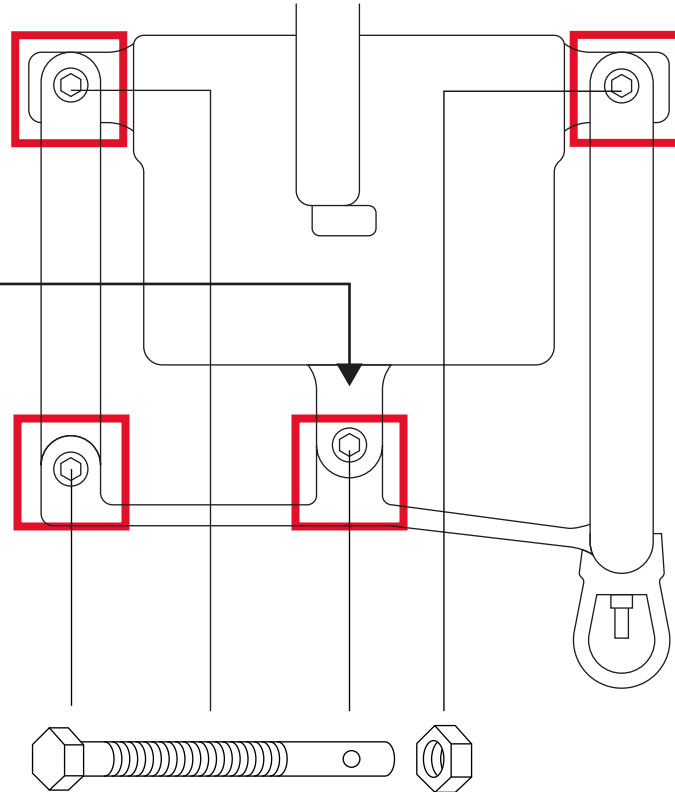
2

SIDE VIEW

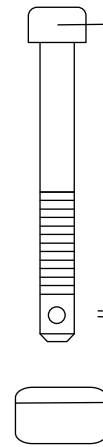
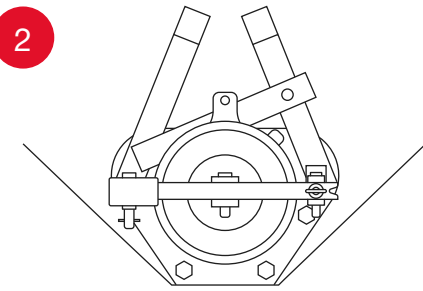
Hopper bolt with Bolt seal



**THE RED FLAG BOLT REPLACES THE ORIGINAL VULNERABLE BOLT WITH NO CROSS-CONTAMINATION OF THE PRODUCT.**



Old vulnerable bolts



# VULNERABILITY ON THE BOTTOM OF COVERED HOPPERS

